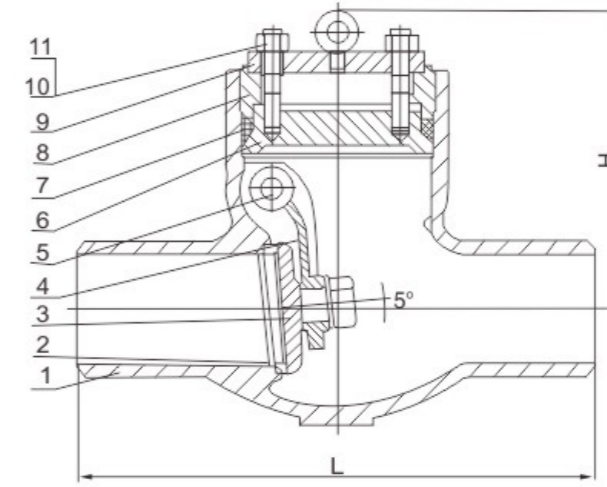
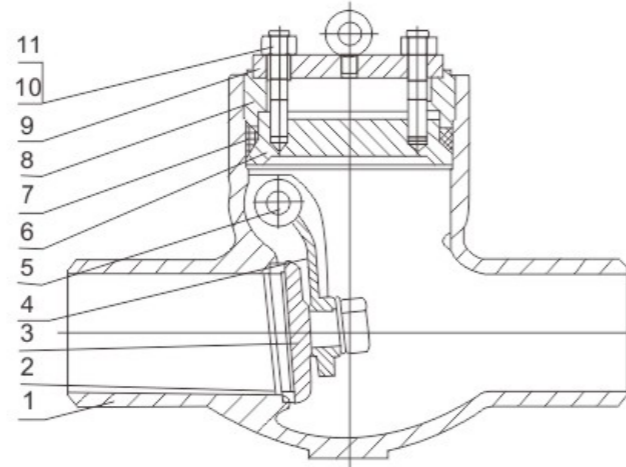


● H64H/Y/F

● H64H/Y Class (150-2500Lb)



Class150, 300, 600, 900, 1500, 2500

### 主要性能规范

结构形式	压力密封旋启式止回阀	
设计依据	GB	API
设计标准	GB/ T12236	API 600
结构长度	GB/ T12221	ASMEB16.10
连接法兰	GB/ T12236 HG20594	ASMEB 16.5
对焊端	GB/ T12224	ASMEB16.25
试验和检验	JB/T9092, GB/T 26480	API598

### 主要零部件材料

零件名称	材质	
阀体	ASTM	GB
	WCB, WC1, WC6, WC9, C5 CF8, CF8M, CF8C, CF3, CF3M	WCB, WC1, WC6, WC9, C5 CF8, CF8M, CF8C, CF3, CF3M
阀瓣	WCB, WC1, WC6, WC9, C5 CF8, CF8M, CF8C, CF3, CF3M	WCB, WC1, WC6, WC9, C5 CF8, CF8M, CF8C, CF3, CF3M
	A 105, F11, F22, F5, F9 F304, F316, F321, F304L, F316L	25, 1Cr18Ni9Ti 0Cr18Ni12Mo2Ti, 20Cr1Mo1V, 25Cr2Mov
销轴	Gr F6a, F22 F304, F316, F321, F304L, F316L	1Cr13, 2Cr13 1Cr18Ni9Ti, 0Cr18Ni12Mo2Ti
	WCB, WC1, WC6, WC9, C5 CF8, CF8M, CF8C, CF3, CF3M	WCB, WC1, WC6, WC9, C5 CF8, CF8M, CF8C, CF3, CF3M
摇杆	A 105, F11, F22, F5, F9 F304, F316, F321, F304L, F316L	25, 1Cr18Ni9Ti 0Cr18Ni12Mo2Ti, 20Cr1Mo1V, 25Cr2Mov
	柔性石墨	柔性石墨
压盖	WCB, WC1, WC6, WC9, C5 CF8, CF8M, CF8C, CF3, CF3M	WCB, WC1, WC6, WC9, C5 CF8, CF8M, CF8C, CF3, CF3M
	A193-B7, A320-B8, A193-B8M	35CrMoA, 20Cr2Mov 0Cr18Ni9, 0Cr17Ni12Mo2
六角螺母	A194-2H, A194-8, A194-8M	45, 35CrMoA, 20Cr2Mov 0Cr18Ni9, 0Cr17Ni12Mo2

### 主要连接尺寸及外形尺寸

单位:mm

DN(mm)	NPS(in)	L	H	DN(mm)	NPS(in)	L	H
<b>Class150</b>				<b>Class300</b>			
50	2	203	132	50	2	267	144
65	2 1/2	216	147	65	2 1/2	292	169
80	3	241	176	80	3	318	210
100	4	292	198	100	4	356	260
150	6	356	320	150	6	445	326
200	8	495	380	200	8	533	380
250	10	622	440	250	10	622	440
300	12	699	480	300	12	711	520
350	14	787	530	350	14	838	540
400	16	864	580	400	16	864	588
450	18	978	618	450	18	978	670
500	20	978	657	500	20	1016	720
600	24	1295	760	600	24	1346	850
<b>Class600</b>				<b>Class1500</b>			
50	2	292	225	50	2	368	225
65	2 1/2	330	240	65	2 1/2	419	240
80	3	356	254	80	3	470	254
100	4	432	279	100	4	546	279
150	6	559	368	150	6	705	405
200	8	660	393	200	8	832	567
250	10	787	457	250	10	991	585
300	12	838	584	300	12	1130	630
350	14	889	609	350	14	1257	750
400	16	991	685	400	16	1384	787
450	18	1092	736	450	18	1537	885
500	20	1194	762	500	20	1664	960
600	24	1397	889	600	24	1943	1120
<b>Class900</b>				<b>Class2500</b>			
50	2	368	225	50	2	451	225
65	2 1/2	419	240	65	2 1/2	508	249
80	3	381	254	80	3	578	254
100	4	457	279	100	4	673	279
150	6	610	381	150	6	914	420
200	8	737	533	200	8	1022	570
250	10	838	558	250	10	1270	1010
300	12	965	609	300	12	1422	1160
350	14	1029	736				
400	16	1130	762				
450	18	1219	863				
500	20	1549	939				
600	24	1549	1066				